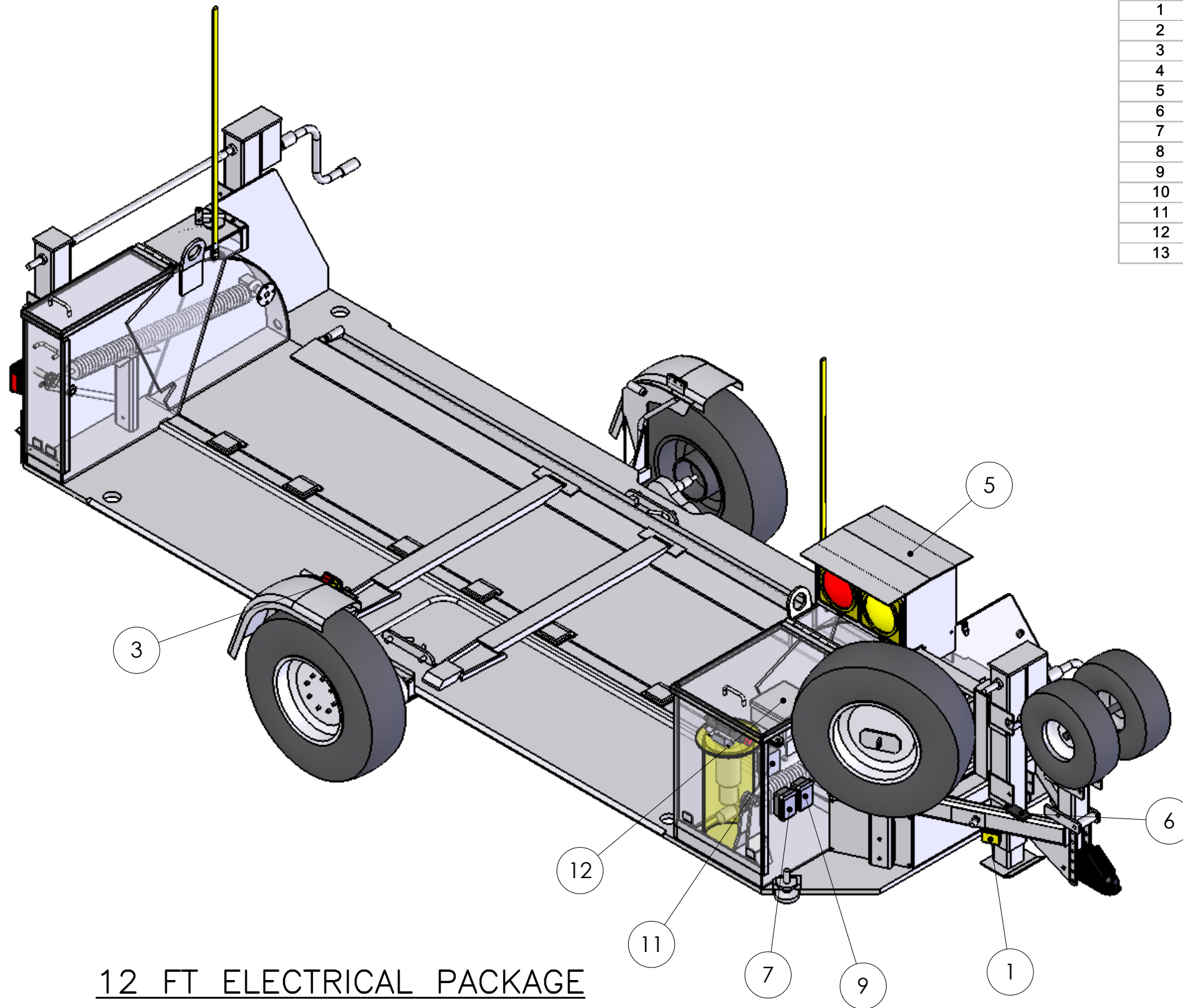
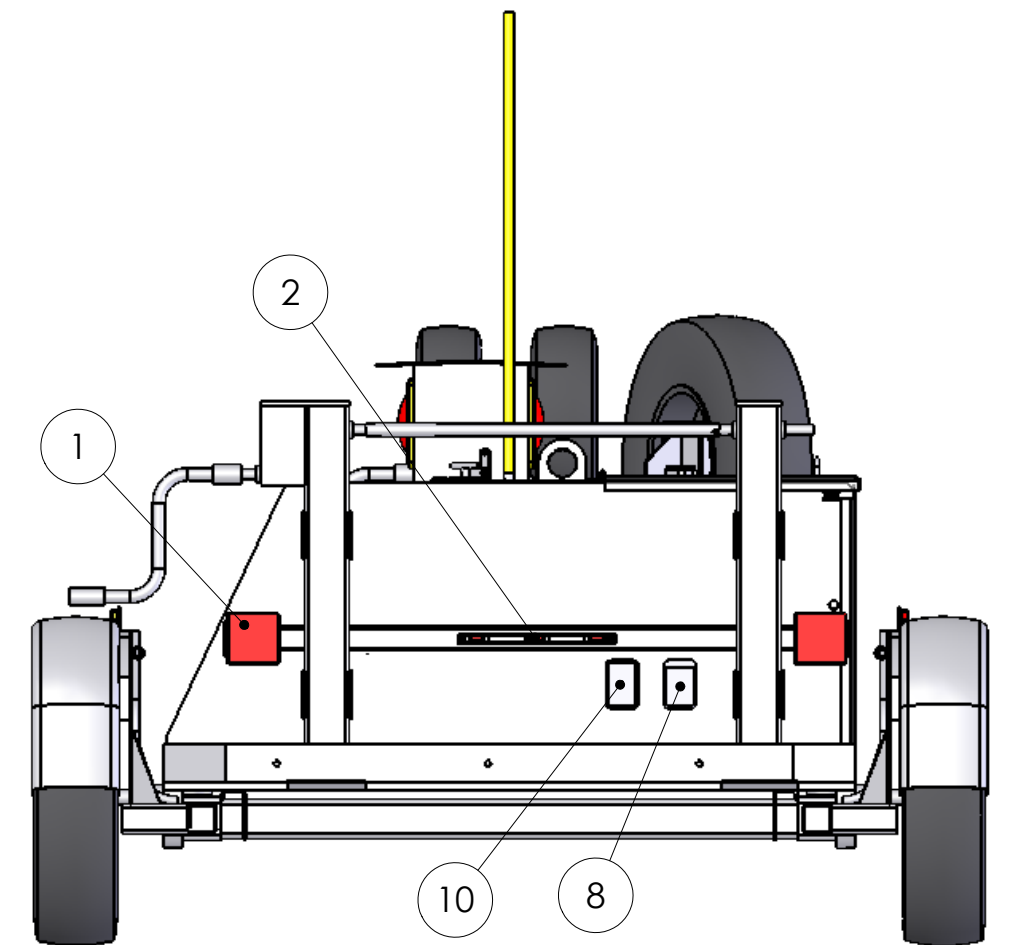


ITEM NO.	QTY.	PART NO.	DESCRIPTION
1	1	545	LIGHT KIT W/CLEARANCE, TAIL & 25 FT HARNESS
2	1	107-3R	MINI LIGHT BAR (RED)
3	2	FL40-0004	FENDER LIGHT, AMBER/RED
4	1	TA1100	ELECTRICAL BREAK CONTROL
5	4	055024	LIGHT BULBS - 67 WATTS
6	1	1028A	BRAKE AWAY KIT
7	1	7162K4	PUSH BUTTON CONTROL - FRONT
8	1	7162K4	PUSH BUTTON CONTROL - REAR
9	1	8036K1	120 VOLT OUTLET -FRONT
10	1	8036K1	120 VOLT OUTLET-REAR
11	1	CUH7562K4	120 VOLT - FRONT/OFF/REAR - SWITCH
12	1	2122-B	CONTROL PANEL
13	1	83-873-102	LIMIT SWITCH - TRAFFIC LIGHT (NOT SHOWN)



12 FT ELECTRICAL PACKAGE



BARRIER REAR VIEW