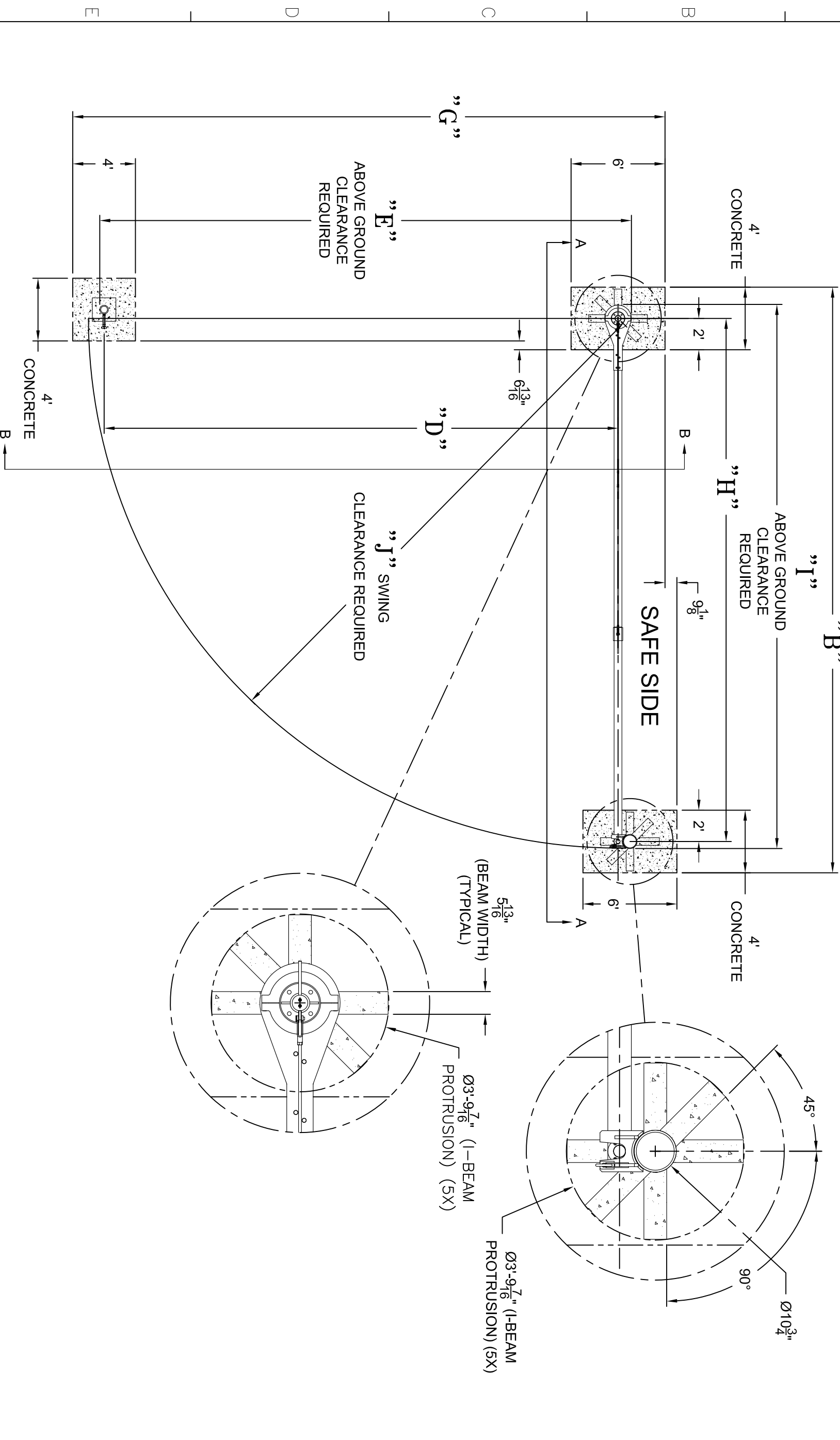


BARRIER OPENING	"A"	"B"	"C"	"D"	"E"	"F"	"G"	"H"	"I"	"J"
12 FOOT	12'-5"	17'-5"	11'-8 7/16"	12'-10"	13'-11 9/16"	17'-10"	17'-10"	13'-5"	14'-9 1/8"	13'-10"
14 FOOT	14'-5"	19'-5"	13'-8 7/16"	14'-10"	15'-11 9/16"	19'-10"	19'-10"	15'-5"	16'-9 1/8"	15'-10"
16 FOOT	16'-5"	21'-5"	15'-8 7/16"	16'-10"	17'-11 9/16"	21'-10"	21'-10"	17'-5"	18'-9 1/8"	17'-10"
18 FOOT	18'-5"	23'-5"	17'-8 7/16"	18'-10"	19'-11 9/16"	23'-10"	23'-10"	19'-5"	20'-9 1/8"	19'-10"
20 FOOT	20'-5"	25'-5"	19'-8 7/16"	20'-10"	21'-11 9/16"	25'-10"	25'-10"	21'-5"	22'-9 1/8"	21'-10"
22 FOOT	22'-5"	27'-5"	21'-8 7/16"	22'-10"	23'-11 9/16"	27'-10"	27'-10"	23'-5"	24'-9 1/8"	23'-10"
24 FOOT	24'-5"	29'-5"	23'-8 7/16"	24'-10"	25'-11 9/16"	29'-10"	29'-10"	25'-5"	26'-9 1/8"	25'-10"
26 FOOT	26'-5"	31'-5"	25'-8 7/16"	26'-10"	27'-11 9/16"	31'-10"	31'-10"	27'-5"	28'-9 1/8"	27'-10"
28 FOOT	28'-5"	33'-5"	27'-8 7/16"	28'-10"	29'-11 9/16"	33'-10"	33'-10"	29'-5"	30'-9 1/8"	29'-10"
30 FOOT	30'-5"	35'-5"	29'-8 7/16"	30'-10"	31'-11 9/16"	35'-10"	35'-10"	31'-5"	32'-9 1/8"	31'-10"
32 FOOT	32'-5"	37'-5"	31'-8 7/16"	32'-10"	33'-11 9/16"	37'-10"	37'-10"	33'-5"	34'-9 1/8"	33'-10"



THIS DOCUMENT CONTAINS INFORMATION DEEMED CONFIDENTIAL AND PROPRIETARY TO NASATKA BARRIER, INC. AND MAY NOT BE REPRODUCED IN WHOLE OR IN PART WITHOUT THE EXPRESS WRITTEN PERMISSION OF NASATKA BARRIER, INC. FURTHER, NO USE OF THIS DOCUMENT OR THE INFORMATION CONTAINED HEREIN MAY BE MADE WITHOUT FIRST SECURING THE PRIOR WRITTEN APPROVAL OF NASATKA BARRIER, INC.

REV.	DATE	DESCRIPTION
		ORIGINAL RELEASE

DESCRIPTION:  
NMSB XII HOR-RH  
K-12 CRASH RATED

DRAWN BY: EMS  
CHK BY:  
SCALE: NTS  
DATE: 6/21/2012

Sheet: SB-1  
Sec: WS

PART NO. #####