

Item	PCS	DESCRIPTION	MATERIAL
1	1	MODEL IIID-8FT	N/A
2	20	REBAR, 1/2" DIA X 68" LG	GRADE 60
3	12	REBAR, 5/8" DIA X 115" LG	GRADE 60
4	4	REBAR, 5/8" DIA X 122" LG	GRADE 60

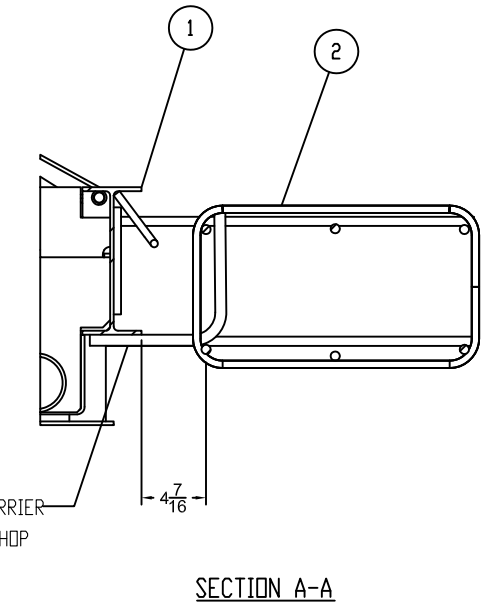
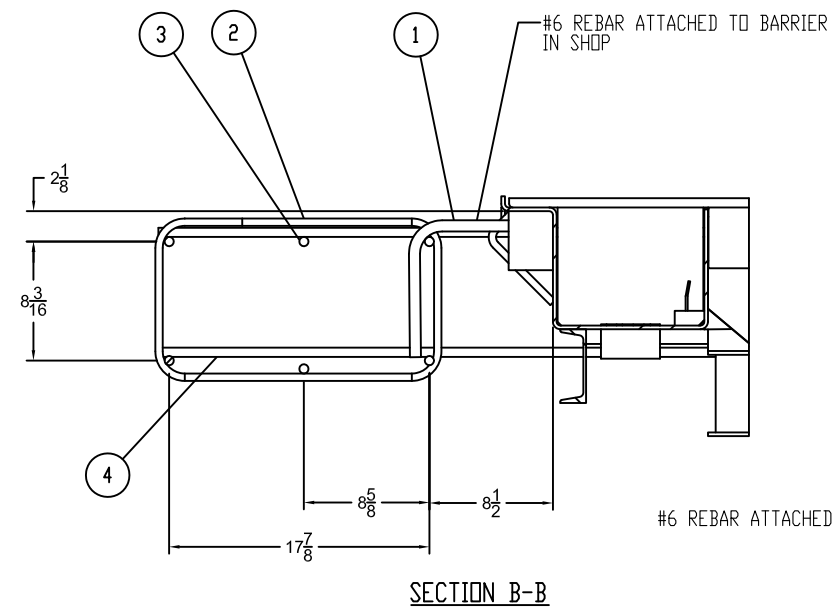
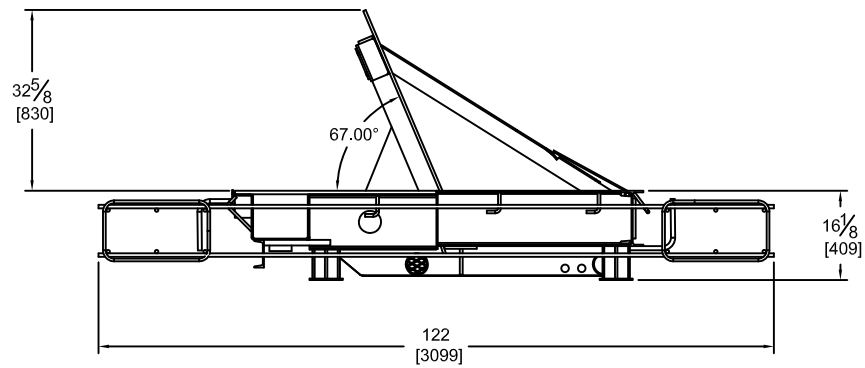
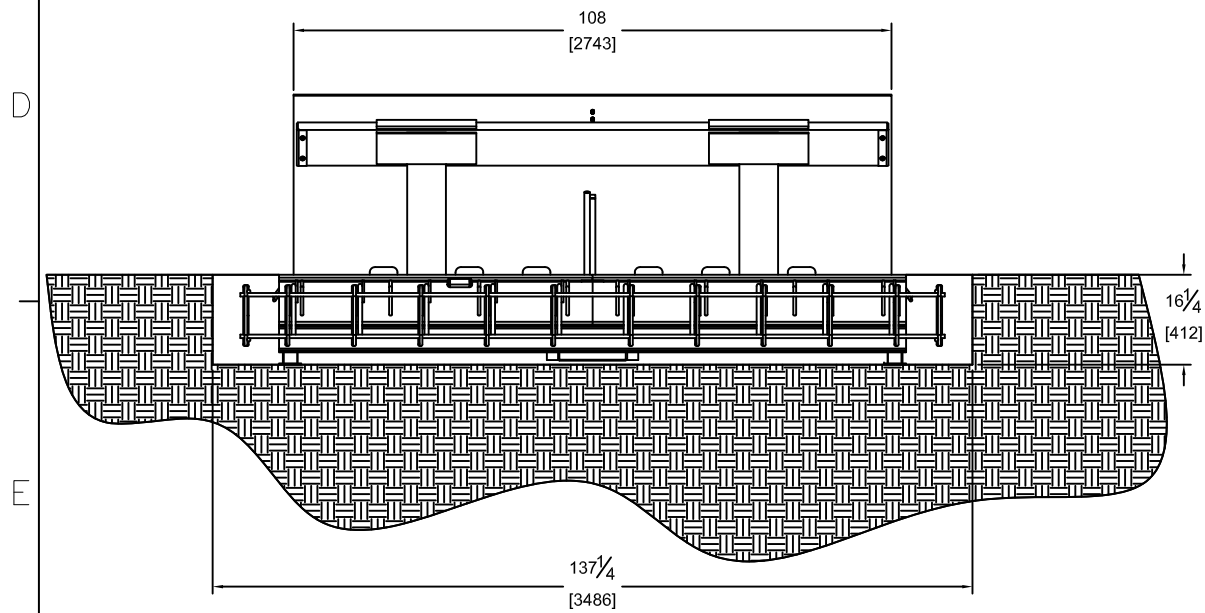
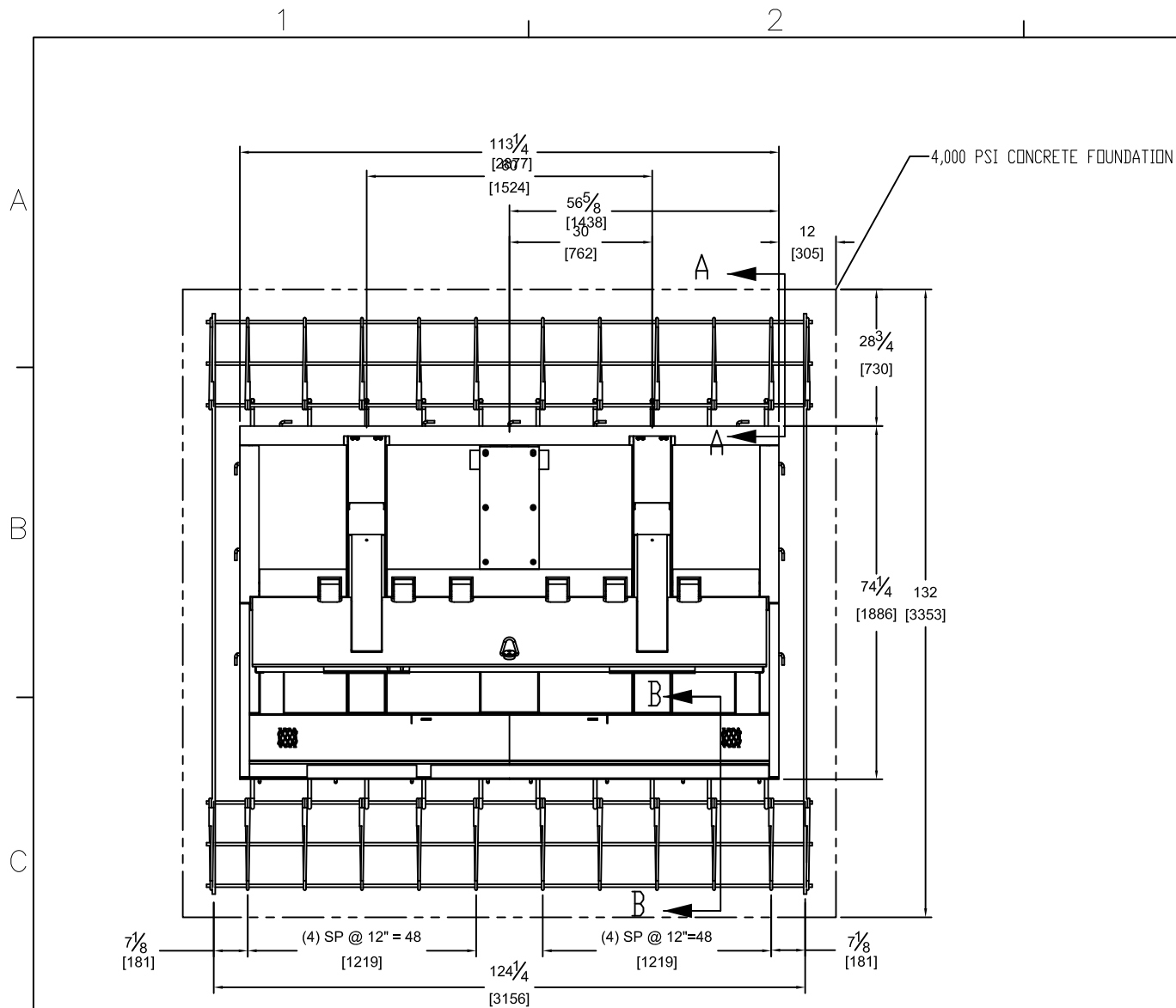
**NASATKA**  
SECURITY

THIS DOCUMENT CONTAINS INFORMATION DEEMED CONFIDENTIAL AND PROPRIETARY TO NASATKA BARRIER, INC. AND MAY NOT BE REPRODUCED IN WHOLE OR IN PART WITHOUT THE EXPRESS WRITTEN PERMISSION OF NASATKA BARRIER, INC. FURTHER, NO USE OF THIS DOCUMENT OR THE INFORMATION CONTAINED HEREIN MAY BE MADE WITHOUT FIRST SECURING THE PRIOR WRITTEN APPROVAL OF NASATKA BARRIER, INC.

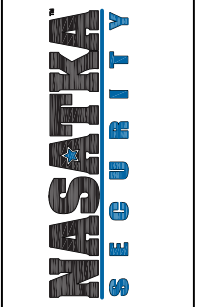
REV.	DATE	DESCRIPTION
		ORIGINAL RELEASE

DESCRIPTION:	NMSB IIID 8 FT ASTM M50 CRASH RATED
DRAWN BY:	EMS
SCALE:	N/T
CHK BY:	###
DATE:	3/27/2012
PART NO.	

Sheet:	Set:
SB-1	WS



Item	PCS	DESCRIPTION	MATERIAL
1	1	MODEL IIID-9FT	N/A
2	24	REBAR, 1/2" DIA X 68" LG	GRADE 60
3	12	REBAR, 5/8" DIA X 127" LG	GRADE 60
4	4	REBAR, 5/8" DIA X 122" LG	GRADE 60



THIS DOCUMENT CONTAINS INFORMATION DEEMED CONFIDENTIAL AND PROPRIETARY TO NASETKA BARRIER, INC. AND MAY NOT BE REPRODUCED IN WHOLE OR IN PART WITHOUT THE EXPRESS WRITTEN PERMISSION OF NASETKA BARRIER, INC. FURTHER, NO USE OF THIS DOCUMENT OR THE INFORMATION CONTAINED HEREIN MAY BE MADE WITHOUT FIRST SECURING THE PRIOR WRITTEN APPROVAL OF NASETKA BARRIER, INC.

REV.	DATE	DESCRIPTION
		ORIGINAL RELEASE

DESCRIPTION: NMSB IIID 9 FT  
ASTM M50 CRASH RATED

Sheet: SB-2

Part No.: IIIID

Drawn By: EMS  
Scale: NTS

Checked By: ###  
Date: 3/27/2012

1

2

3

4

5

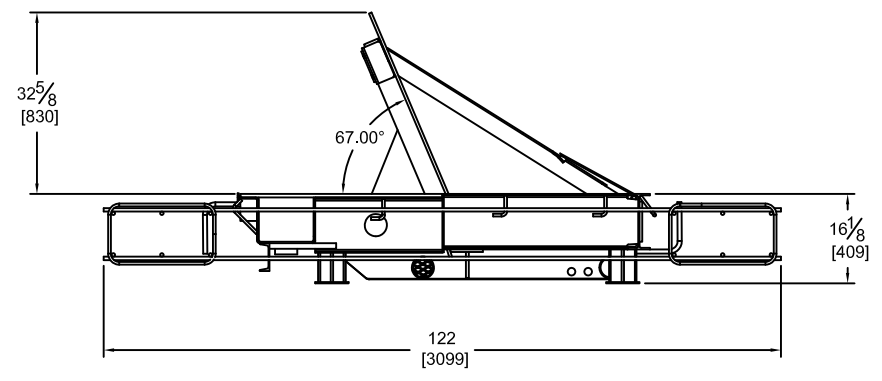
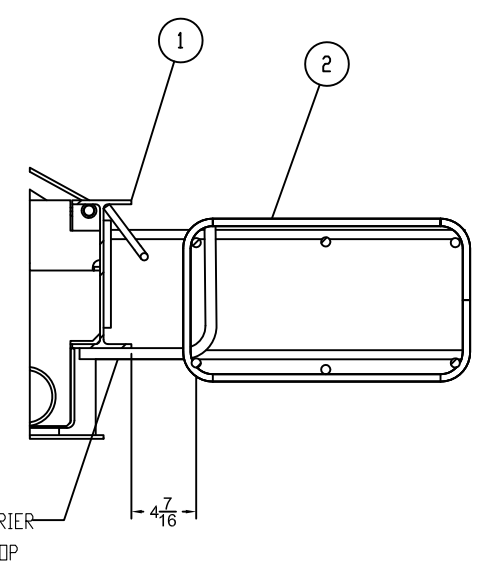
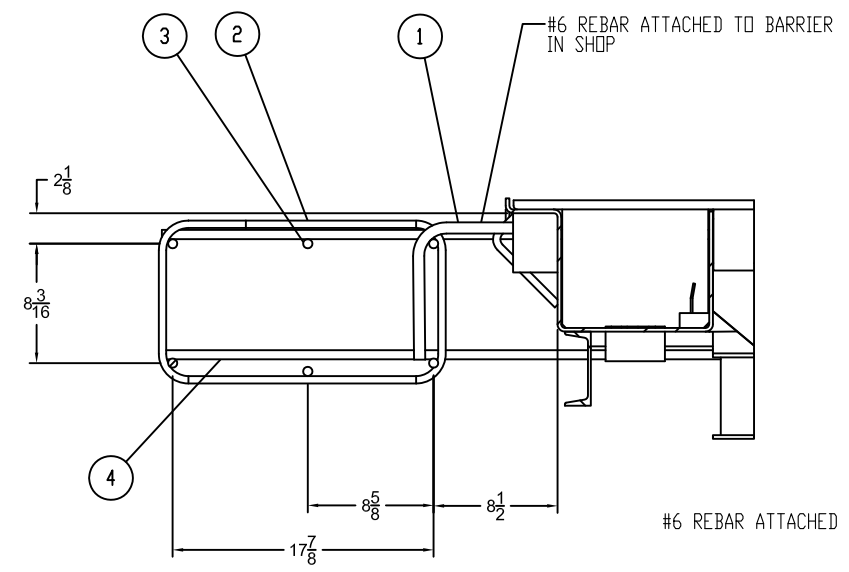
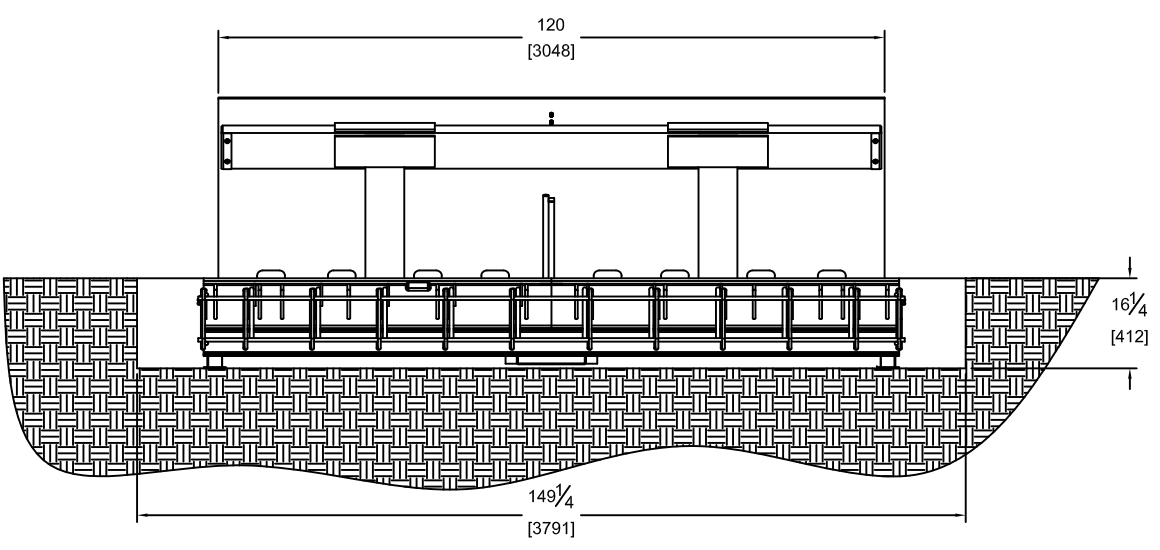
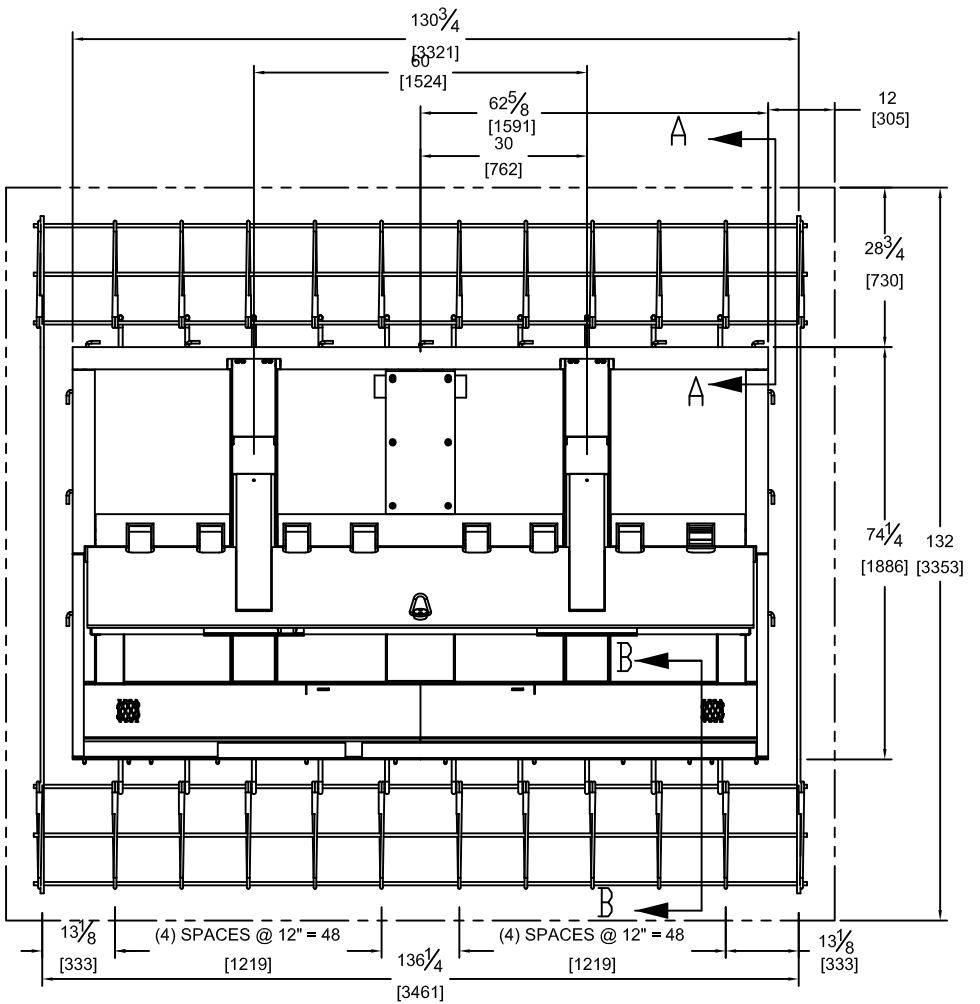
A

B

C

D

E



Item	PCS	DESCRIPTION	MATERIAL
1	1	MODEL IIID-10FT	N/A
2	24	REBAR, 1/2" DIA X 68" LG	GRADE 60
3	12	REBAR, 5/8" DIA X 127" LG	GRADE 60
4	4	REBAR, 5/8" DIA X 122" LG	GRADE 60



THIS DOCUMENT CONTAINS INFORMATION DEEMED CONFIDENTIAL AND PROPRIETARY TO NASATKA BARRIER, INC. AND MAY NOT BE REPRODUCED IN WHOLE OR IN PART WITHOUT THE EXPRESS WRITTEN PERMISSION OF NASATKA BARRIER, INC. FURTHER, NO USE OF THIS DOCUMENT OR THE INFORMATION CONTAINED HEREIN MAY BE MADE WITHOUT FIRST SECURING THE PRIOR WRITTEN APPROVAL OF NASATKA BARRIER, INC.

REV.	DATE	DESCRIPTION
		ORIGINAL RELEASE

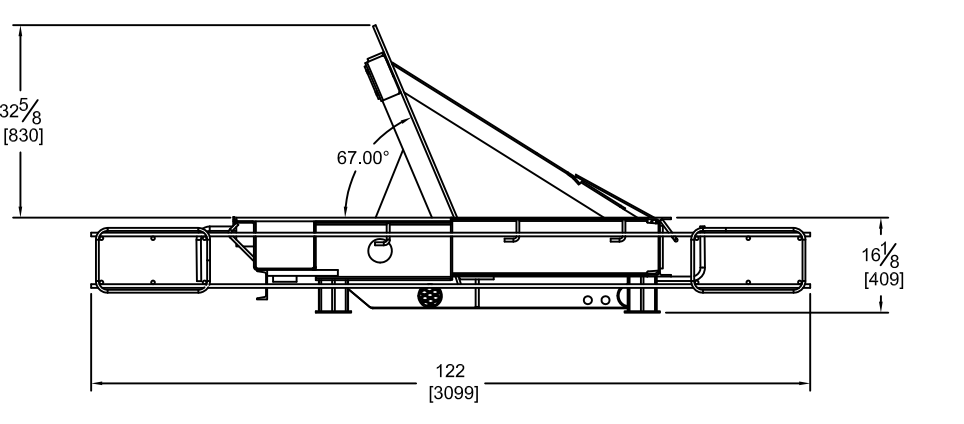
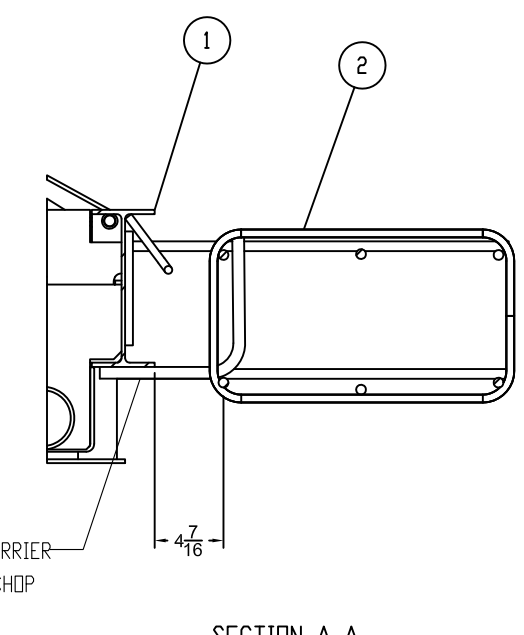
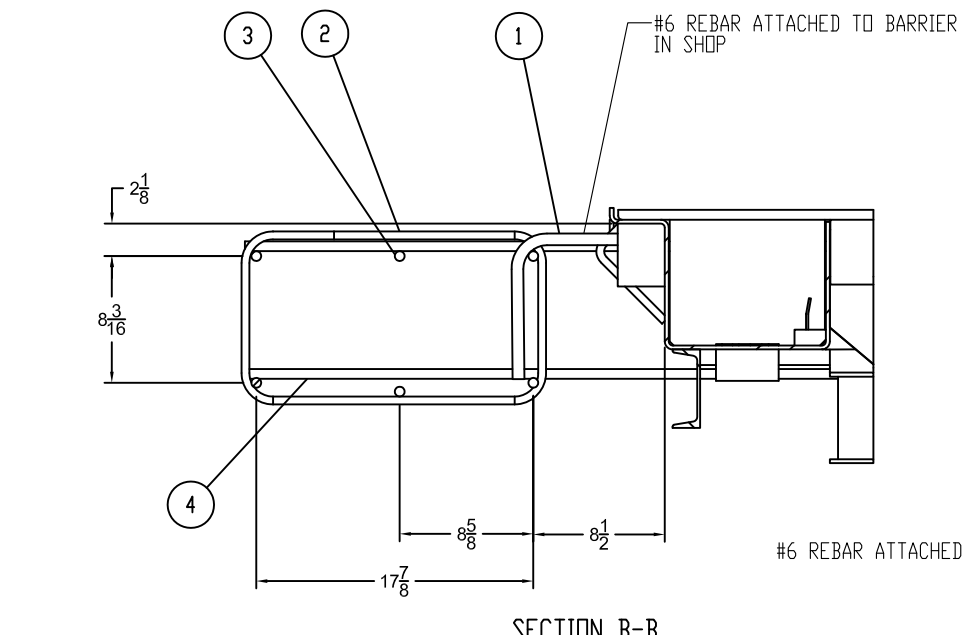
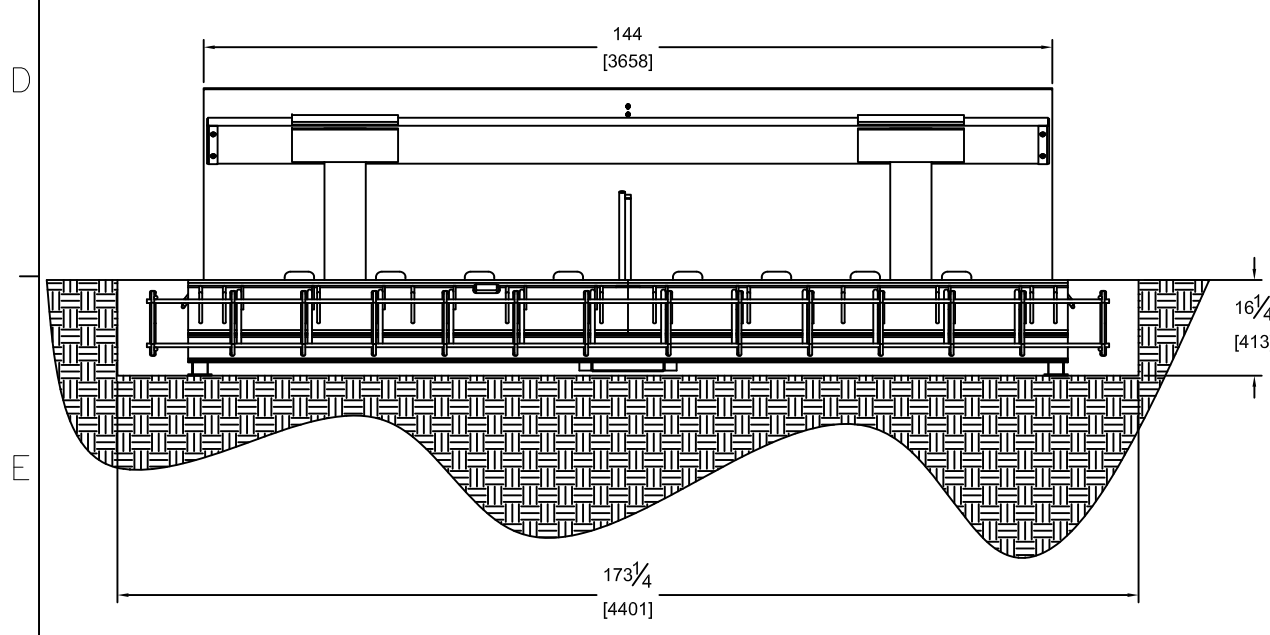
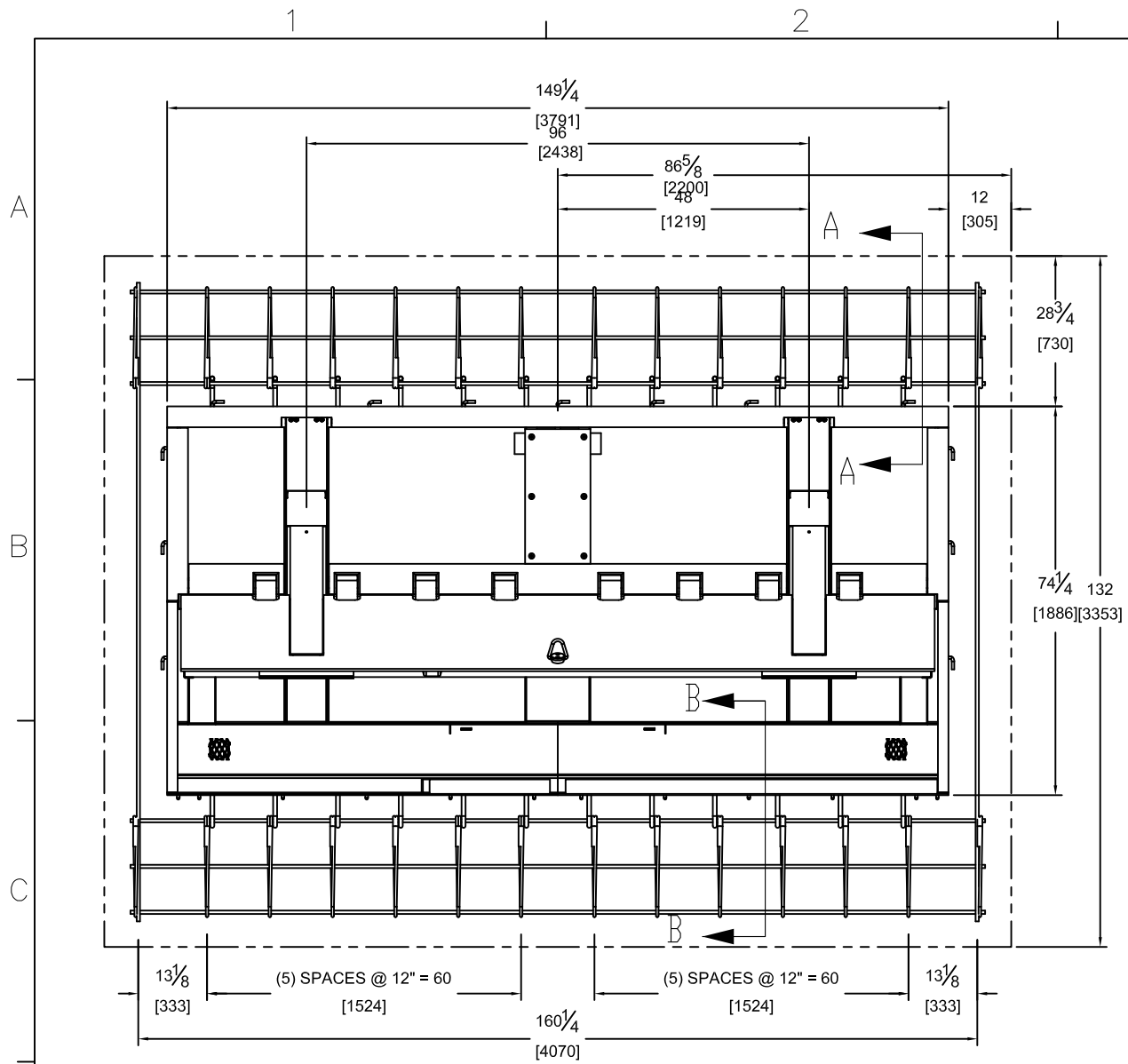
DESCRIPTION: NMSB IIID 10 FT  
ASTM M50 CRASH RATED

DRAWN BY: EMS  
SCALE: NTS

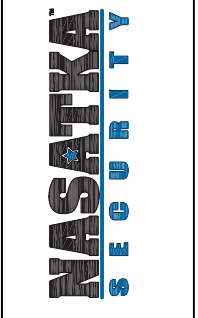
CHK BY: NTS  
DATE: 3/27/2012

PART NO. ###

Sheet: SB-1  
Set: WS



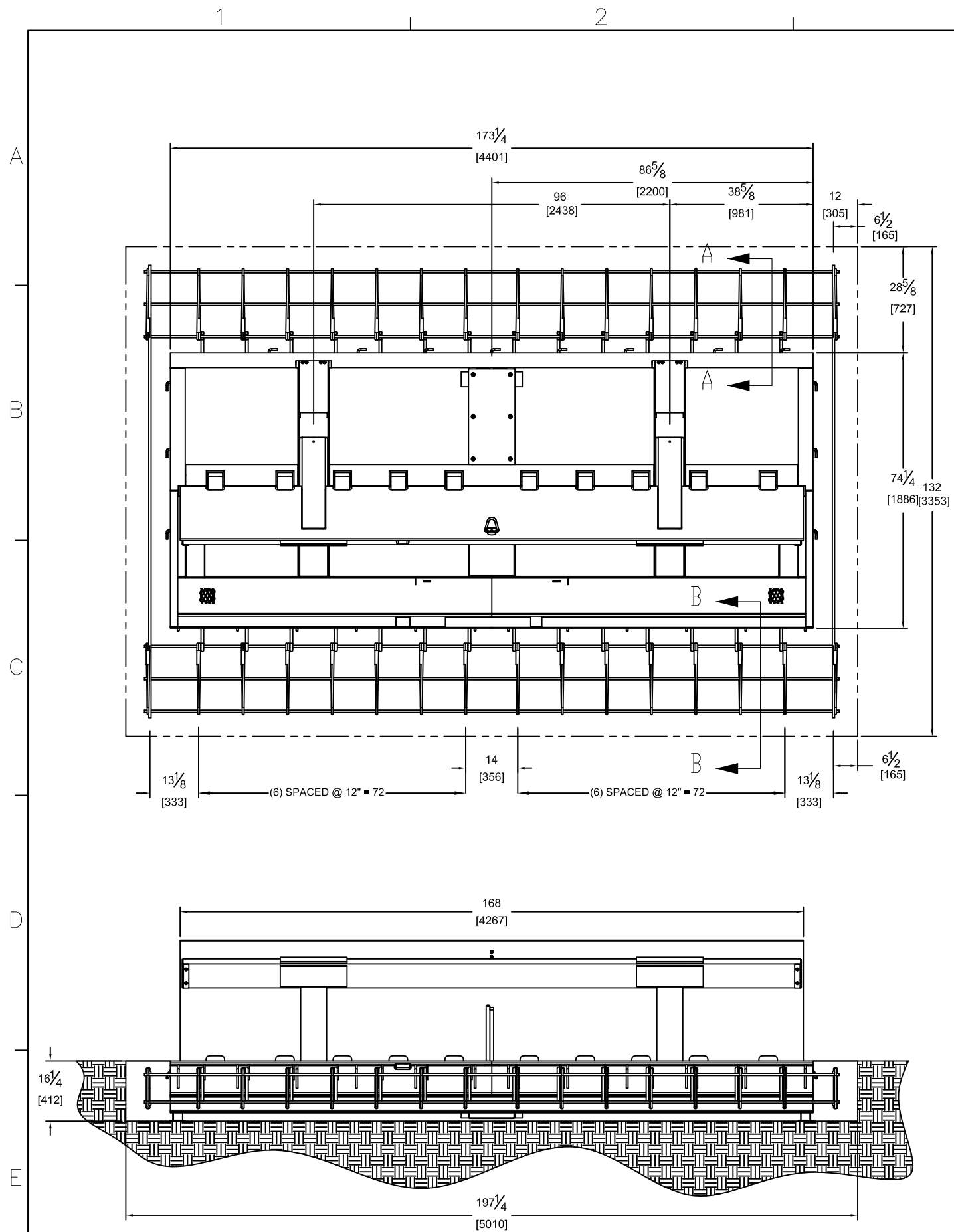
Item	PCS	DESCRIPTION	MATERIAL
1	1	MODEL IIID-12FT	N/A
2	28	REBAR, 1/2" DIA X 68" LG	GRADE 60
3	12	REBAR, 5/8" DIA X 163" LG	GRADE 60
4	4	REBAR, 5/8" DIA X 122" LG	GRADE 60



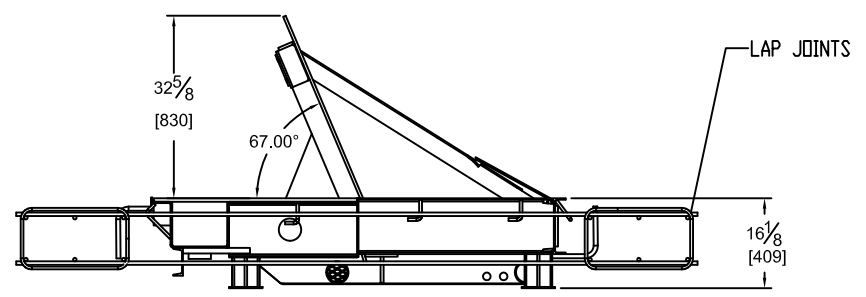
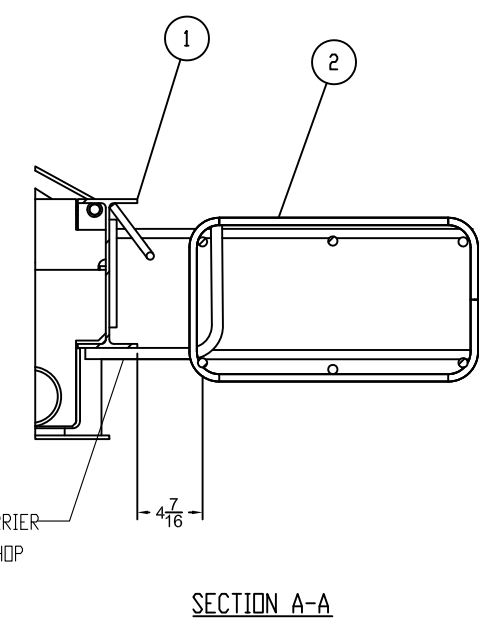
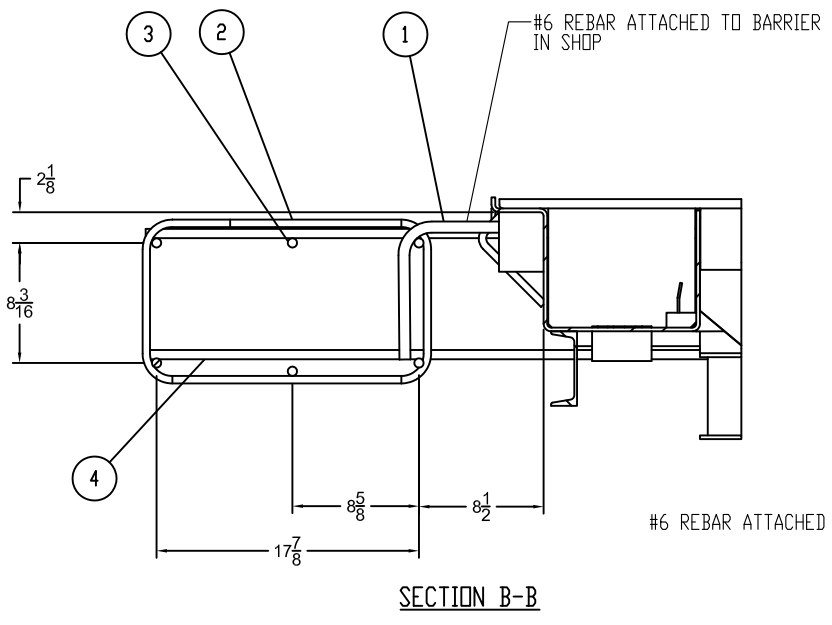
THIS DOCUMENT CONTAINS INFORMATION DEEMED CONFIDENTIAL AND PROPRIETARY TO NASATKA BARRIER, INC. AND MAY NOT BE REPRODUCED IN WHOLE OR IN PART WITHOUT THE EXPRESS WRITTEN PERMISSION OF NASATKA BARRIER, INC. FURTHER, NO USE OF THIS DOCUMENT OR THE INFORMATION CONTAINED HEREIN MAY BE MADE WITHOUT FIRST SECURING THE PRIOR WRITTEN APPROVAL OF NASATKA BARRIER, INC.

REV.	DATE	DESCRIPTION
		ORIGINAL RELEASE

DESCRIPTION:	NMSB IIID 12 FT ASTM M50 CRASH RATED	CHK BY:	3/27/2012
Sheet:	SB-1	DRAWN BY:	EMS
Set:	WS	SCALE:	N/T
		PART NO.:	###



Item	PCS	DESCRIPTION	MATERIAL
1	1	MODEL IIIID-14FT	N/A
2	32	REBAR, 1/2" DIA X 68" LG	GRADE 60
3	12	REBAR, 5/8" DIA X 187" LG	GRADE 60
4	4	REBAR, 5/8" DIA X 122" LG	GRADE 60



NOTES :

- ALL UNITS ARE INCHES.
- GRIND AND BREAK ALL SHARP EDGES.
- ALL DIMENSIONS IN OVAL SHAPE ARE CRITICAL DIMENSIONS AND SHOULD BE MAINTAINED.



THIS DOCUMENT CONTAINS INFORMATION DEEMED CONFIDENTIAL AND PROPRIETARY TO NASATKA BARRIER, INC. AND MAY NOT BE REPRODUCED IN WHOLE OR IN PART WITHOUT THE EXPRESS WRITTEN PERMISSION OF NASATKA BARRIER, INC. FURTHER, NO USE OF THIS DOCUMENT OR THE INFORMATION CONTAINED HEREIN MAY BE MADE WITHOUT FIRST SECURING THE PRIOR WRITTEN APPROVAL OF NASATKA BARRIER, INC.

REV.	DATE	DESCRIPTION
		ORIGINAL RELEASE

DESCRIPTION: NMSB IIIID 14 FT  
ASTM M50 CRASH RATED

CHK BY: DATE: 3/27/2012

DRAWN BY: EMS NTS

SCALE:

PART NO. ###

Sheet: SB-1

Set: WS