

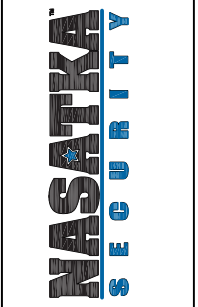
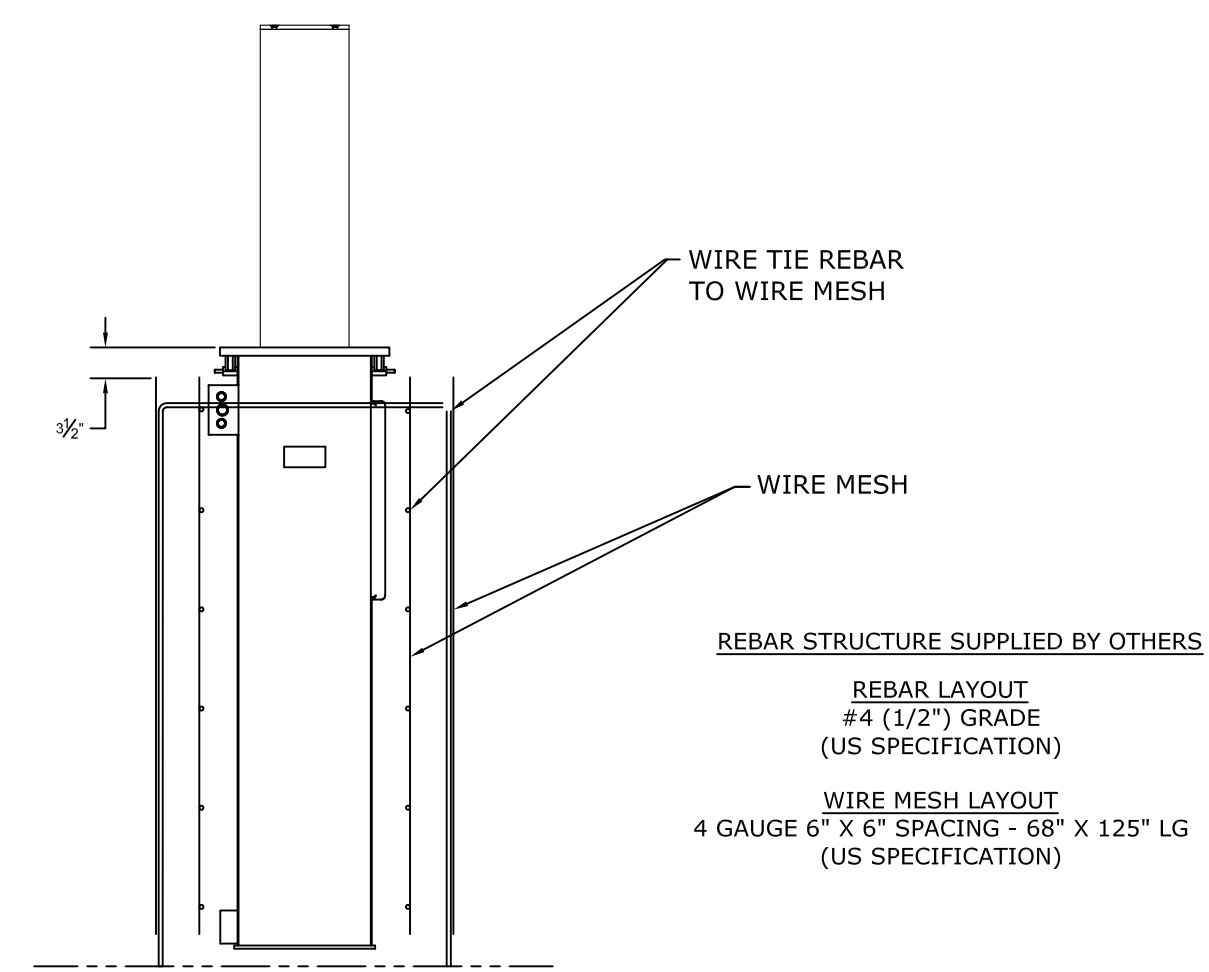
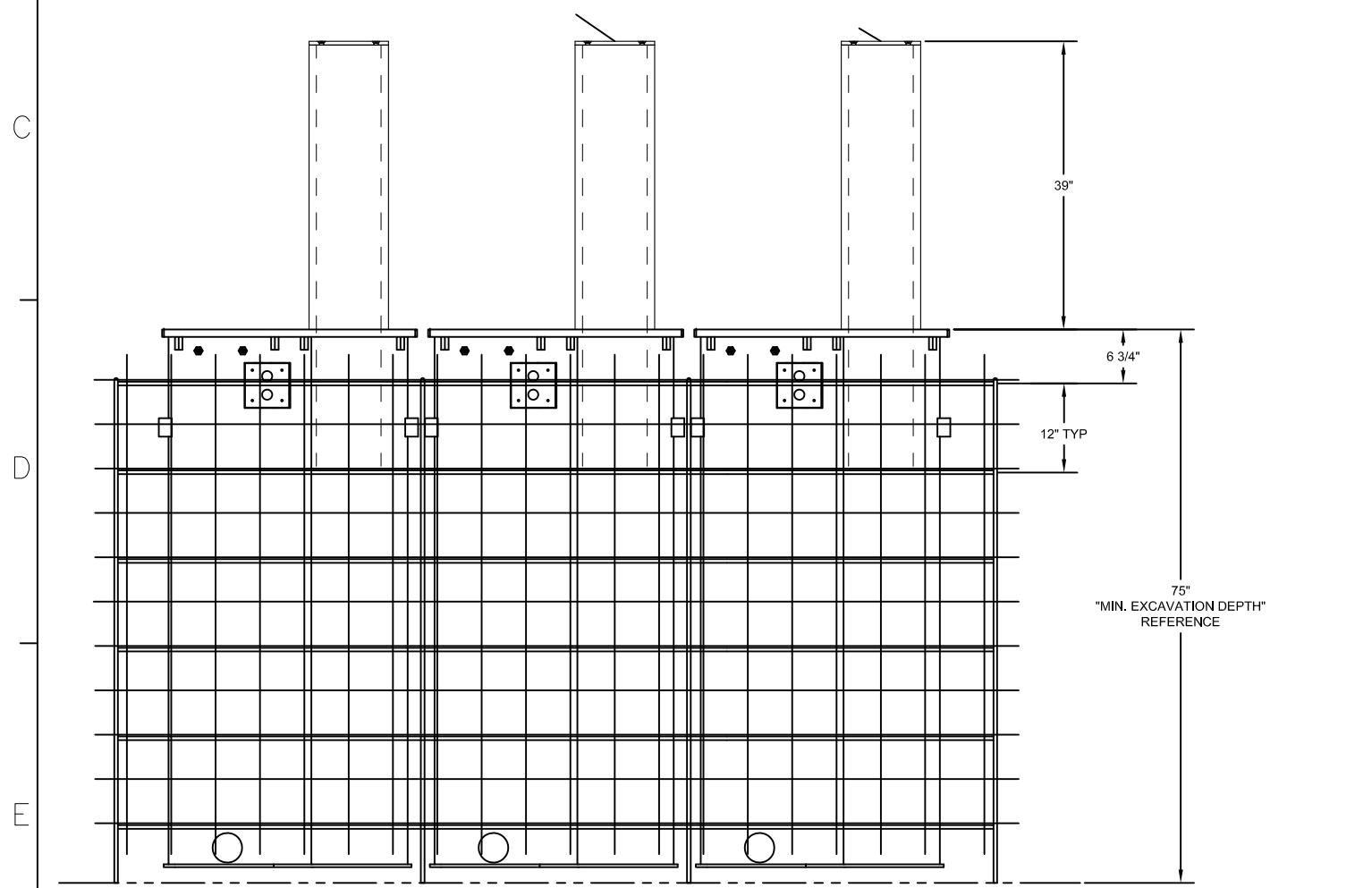
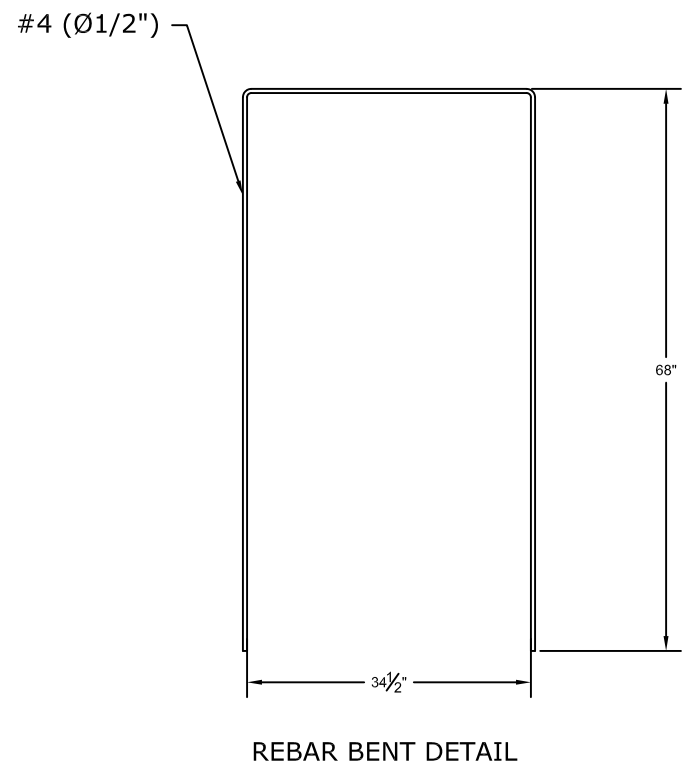
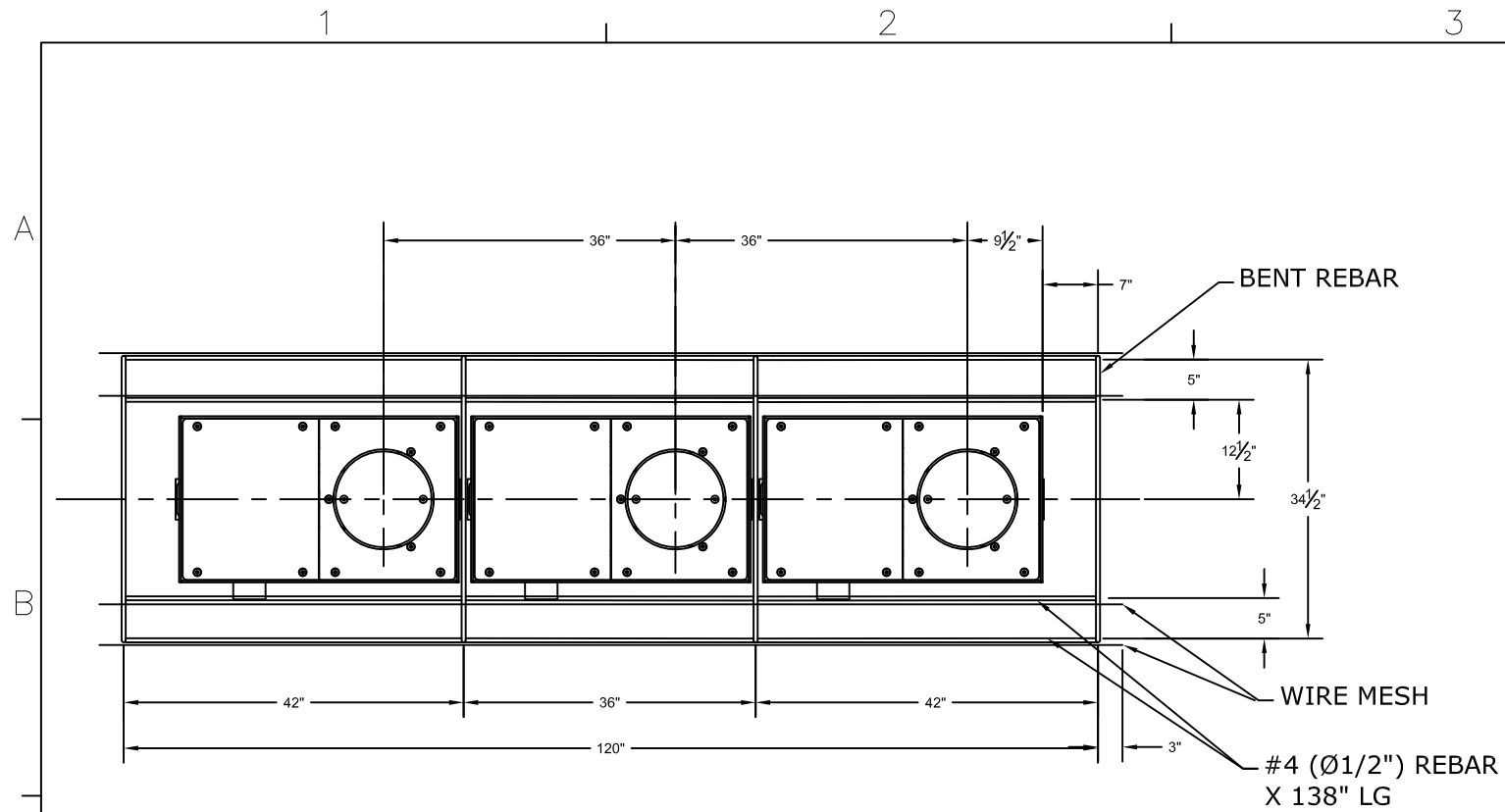
NOTES :
 1. ALL UNITS ARE INCHES.
 2. GRIND AND BREAK ALL SHARP EDGES.
 3. ALL DIMENSIONS IN OVAL SHAPE ARE CRITICAL DIMENSIONS AND SHOULD BE MAINTAINED.



THIS DOCUMENT CONTAINS INFORMATION DEEMED CONFIDENTIAL AND PROPRIETARY TO NASATKA BARRIER, INC. AND MAY NOT BE REPRODUCED IN WHOLE OR IN PART WITHOUT THE EXPRESS WRITTEN PERMISSION OF NASATKA BARRIER, INC. FURTHER, NO USE OF THIS DOCUMENT OR THE INFORMATION CONTAINED HEREIN MAY BE MADE WITHOUT FIRST SECURING THE PRIOR WRITTEN APPROVAL OF NASATKA BARRIER, INC.

REV.	DATE	DESCRIPTION
		ORIGINAL RELEASE

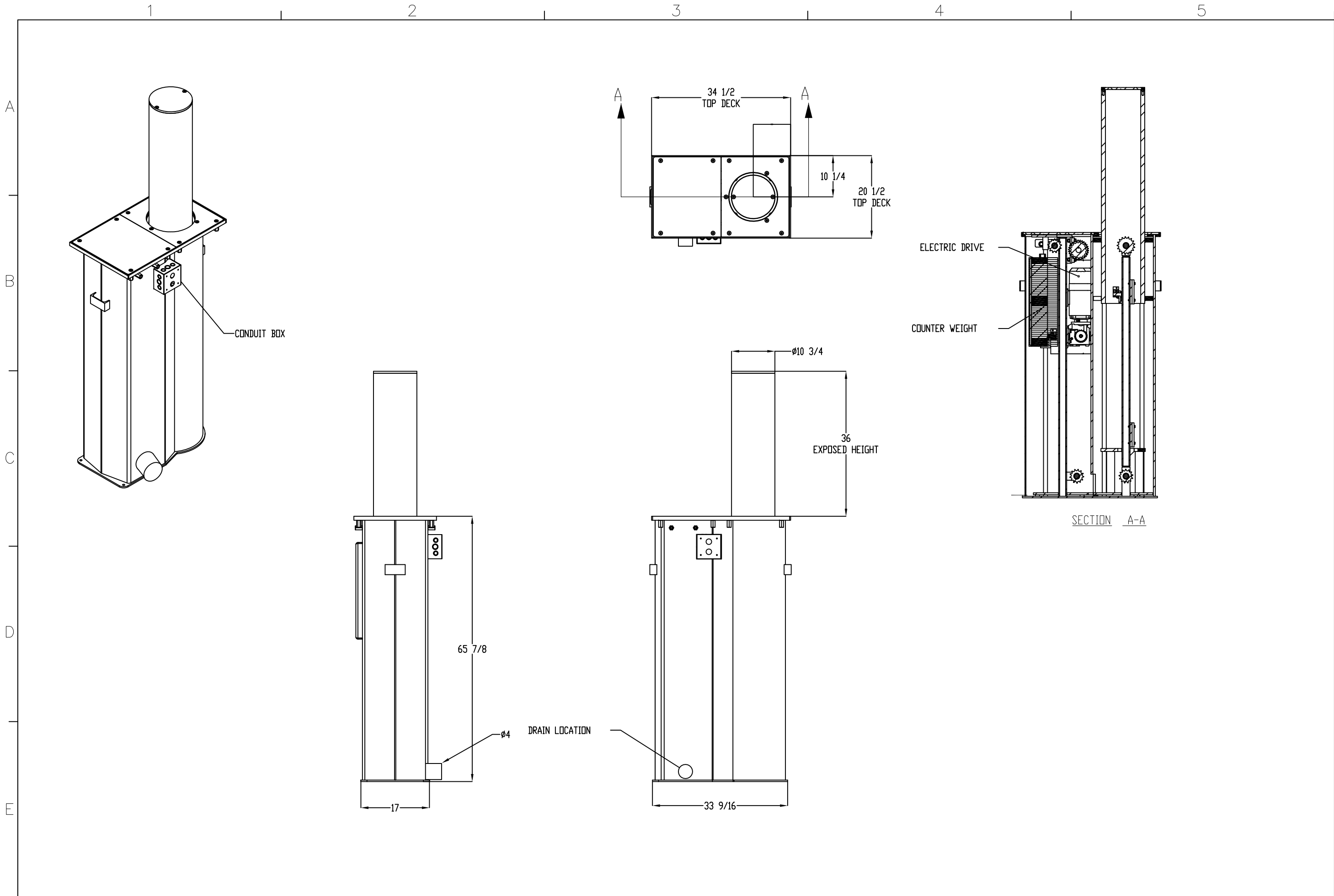
DESCRIPTION: NMSB V-E K-4 36IN H	CHK BY:	DATE:
	4/24/2012	
PART NO.	EMIS	NIS
	SCALE:	###
Sheet:	Set:	
SB-1	WS	



THIS DOCUMENT CONTAINS INFORMATION DEEMED CONFIDENTIAL AND PROPRIETARY TO NASATKA BARRIER, INC. AND MAY NOT BE REPRODUCED IN WHOLE OR IN PART WITHOUT THE EXPRESS WRITTEN PERMISSION OF NASATKA BARRIER, INC. FURTHER, NO USE OF THIS DOCUMENT OR THE INFORMATION CONTAINED HEREIN MAY BE MADE WITHOUT FIRST SECURING THE PRIOR WRITTEN APPROVAL OF NASATKA BARRIER, INC.

REV.	DATE	DESCRIPTION
		ORIGINAL RELEASE

DESCRIPTION:	NMSB V-E 39"		CHK BY:	3/9/2012
	3 BANK, 36IN CENTERS LAYOUT		DATE:	
Sheet:	SB-3	DRAWN BY:	CSH	
		SCALE:	NIS	
Set:	VI	PART NO.:	###	



THIS DOCUMENT CONTAINS INFORMATION DEEMED CONFIDENTIAL AND PROPRIETARY TO NASATKA BARRIER, INC. AND MAY NOT BE REPRODUCED IN WHOLE OR IN PART WITHOUT THE EXPRESS WRITTEN PERMISSION OF NASATKA BARRIER, INC. FURTHER, NO USE OF THIS DOCUMENT OR THE INFORMATION CONTAINED HEREIN MAY BE MADE WITHOUT FIRST SECURING THE PRIOR WRITTEN APPROVAL OF NASATKA BARRIER, INC.

REV.	DATE	DESCRIPTION
		ORIGINAL RELEASE

DESCRIPTION: NMSB V-E K-12 36IN H	CHK BY:	4/24/2012
	DATE:	
PART NO. ###	EMIS	NIS
	DRAWN BY:	SCALE:
Sheet: SB-1	Set: WS	