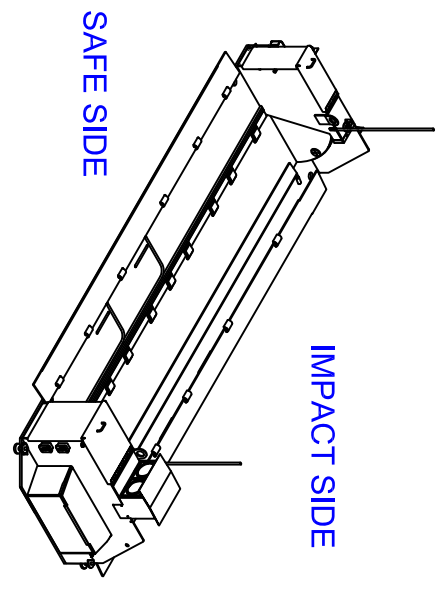
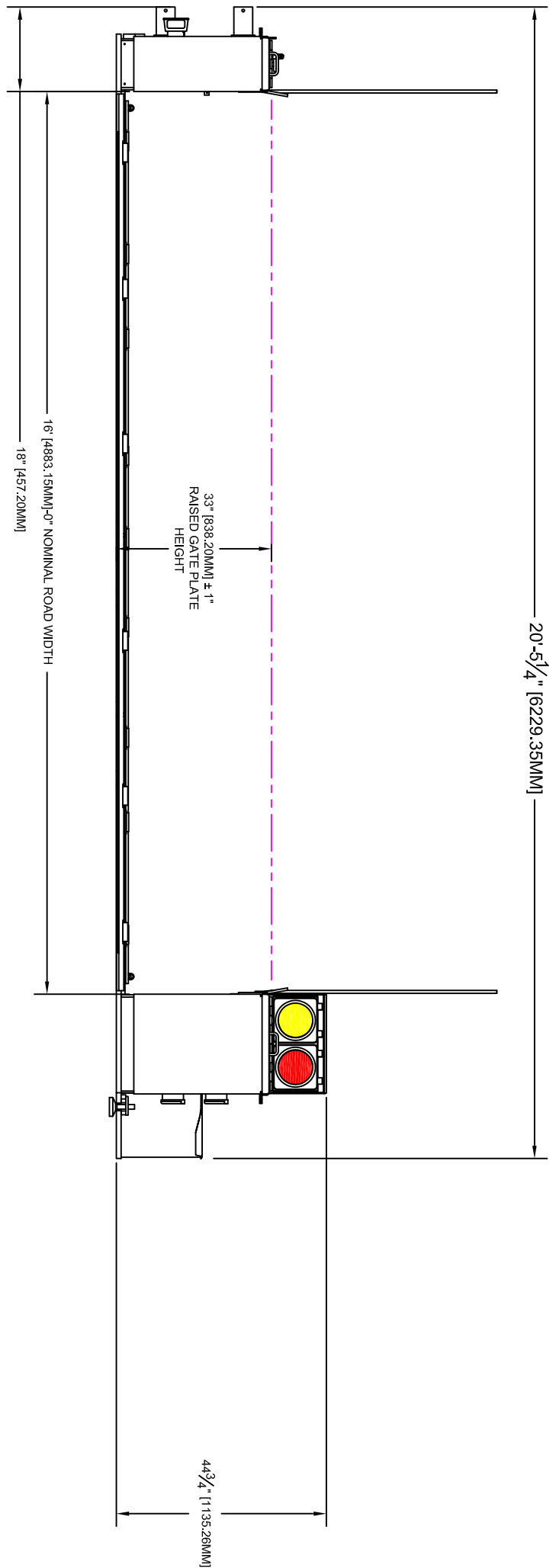
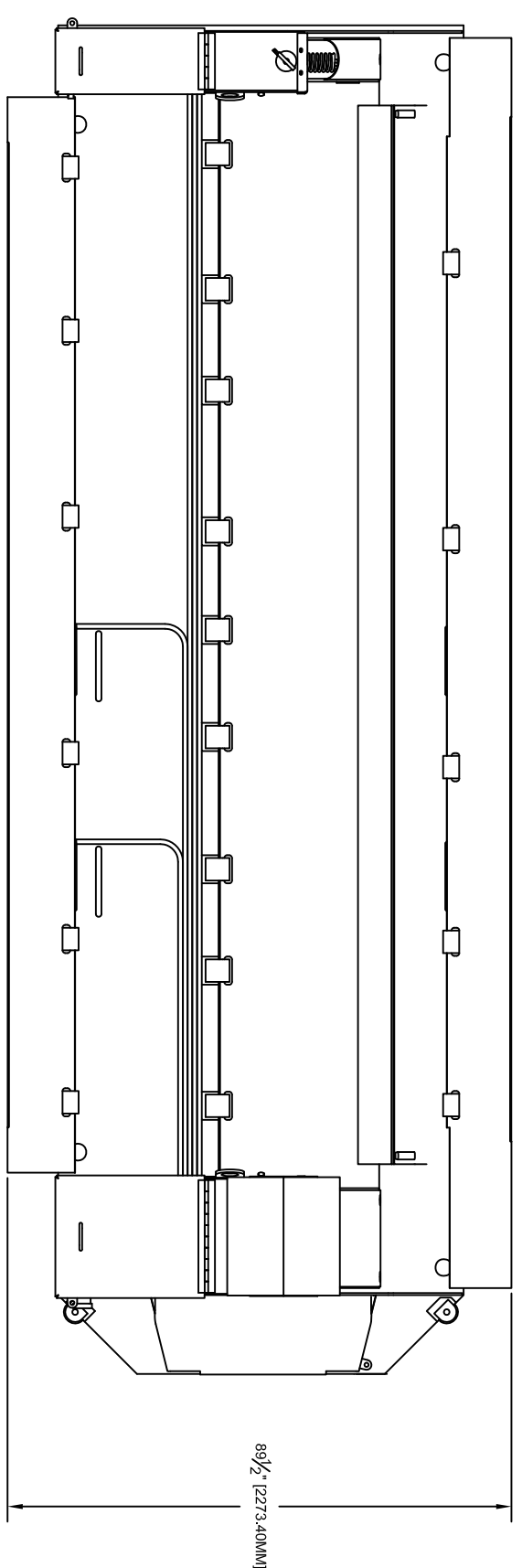


1 2 3 4 5



THIS DOCUMENT CONTAINS INFORMATION DEEMED CONFIDENTIAL AND PROPRIETARY TO NASATKA BARRIER, INC. AND MAY NOT BE REPRODUCED IN WHOLE OR IN PART WITHOUT THE EXPRESS WRITTEN PERMISSION OF NASATKA BARRIER, INC. FURTHER, NO USE OF THIS DOCUMENT OR THE INFORMATION CONTAINED HEREIN MAY BE MADE WITHOUT FIRST SECURING THE PRIOR WRITTEN APPROVAL OF NASATKA BARRIER, INC.

REV.	DATE	DESCRIPTION
		ORIGINAL RELEASE

DRAWN BY:	EMS	CHK BY:	
SCALE:	Custom	DATE:	9/20/2013

DESCRIPTION:	WEBSITE CAD DWG'S NMSB XVI-P 16 FT OPENING WIDTH		
PART NO.	####		

Sheet: SB-1
Sec: XVI