

THIS DOCUMENT CONTAINS INFORMATION DEEMED CONFIDENTIAL AND PROPRIETARY TO NASATKA BARRIER, INC. AND MAY NOT BE REPRODUCED IN WHOLE OR IN PART WITHOUT THE EXPRESS WRITTEN PERMISSION OF NASATKA BARRIER, INC. FURTHER, NO USE OF THIS DOCUMENT OR THE INFORMATION CONTAINED HEREIN MAY BE MADE WITHOUT FIRST SECURING THE PRIOR WRITTEN APPROVAL OF NASATKA BARRIER, INC.

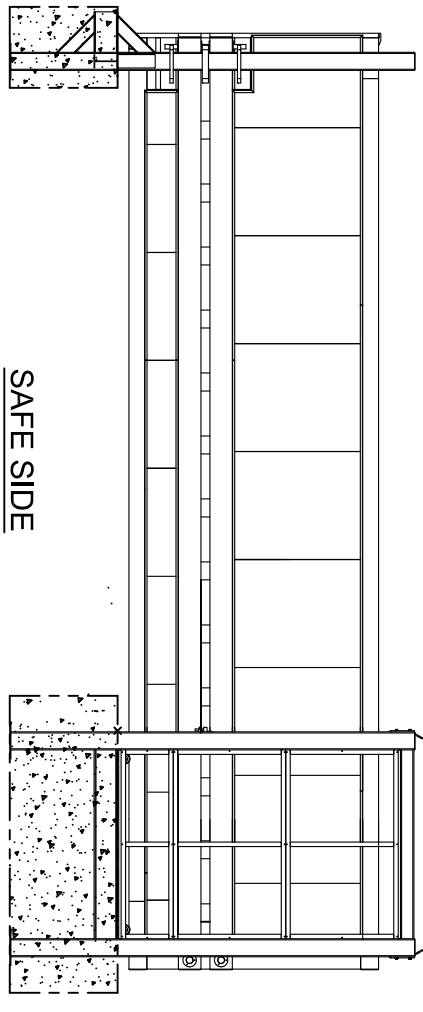
REV.	DATE	DESCRIPTION
		ORIGINAL RELEASE

DESCRIPTION:	NMSB XX-LH 24 FT CLEAR OPENING	
DRAWN BY:	EMS	CHK BY:
SCALE:	NTS	DATE: 11/16/2012

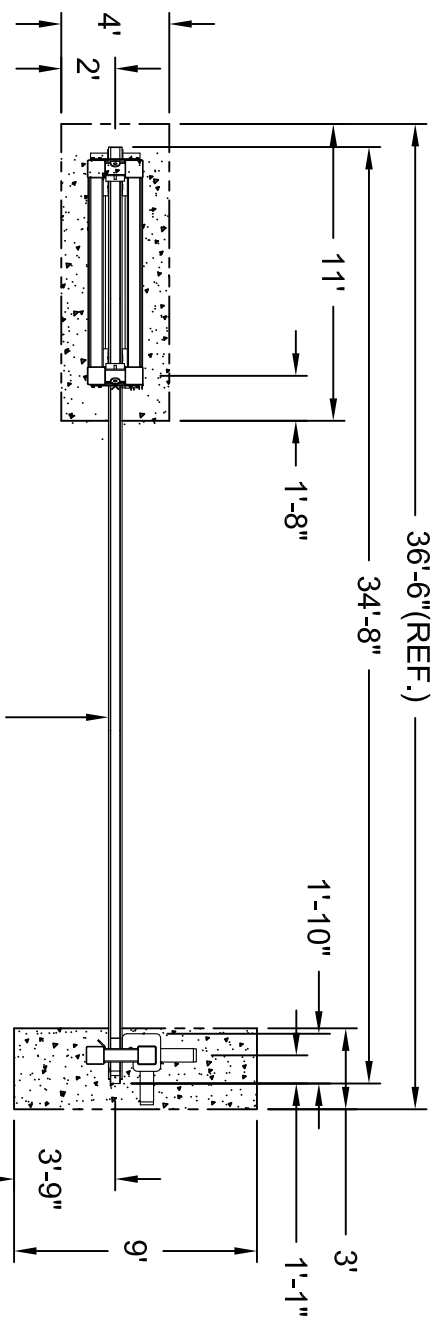
DESCRIPTION:	####
PART NO.	####

Sheet: SB-1
Sec: WS

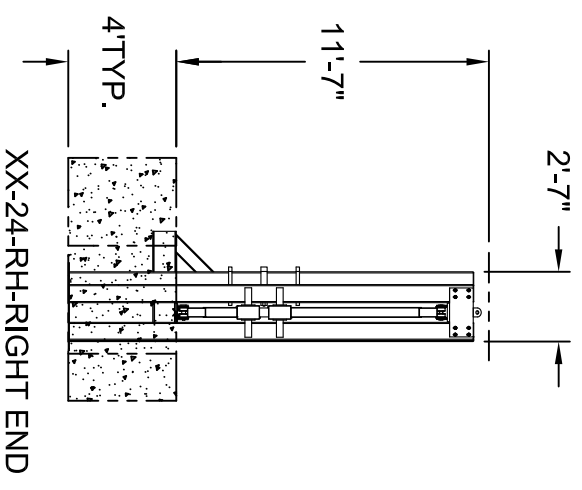
1 2 3 4 5



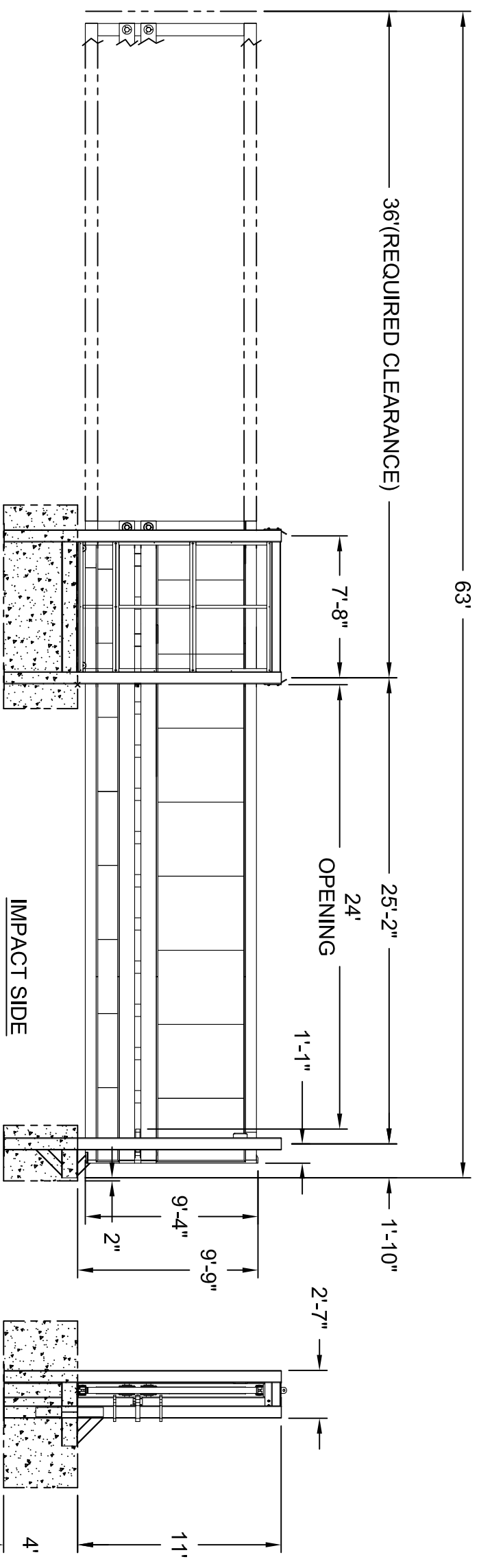
XX-24-RH-REAR



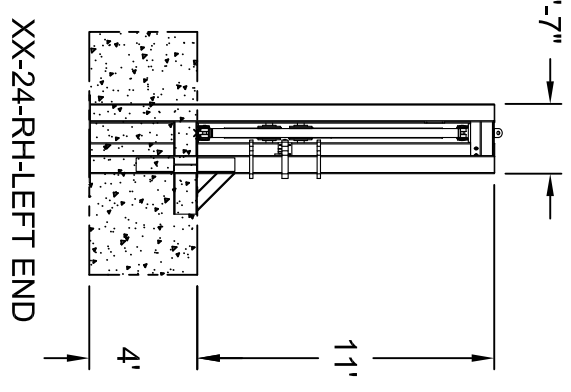
XX-24-RH-PLAN



XX-24-RH-RIGHT END



XX-24-RH-FRONT



XX-24-RH-LEFT END

REV.	DATE	DESCRIPTION

DESCRIPTION:	NMSB XX-RH 24 FT CLEAR OPENING	
PART NO.	####	DRAWN BY: EMS SCALE: NTS
		CHK BY: DATE: 11/16/2012

THIS DOCUMENT CONTAINS INFORMATION DEEMED CONFIDENTIAL AND PROPRIETARY TO NASATKA BARRIER, INC. AND MAY NOT BE REPRODUCED IN WHOLE OR IN PART WITHOUT THE EXPRESS WRITTEN PERMISSION OF NASATKA BARRIER, INC. FURTHER, NO USE OF THIS DOCUMENT OR THE INFORMATION CONTAINED HEREIN MAY BE MADE WITHOUT FIRST SECURING THE PRIOR WRITTEN APPROVAL OF NASATKA BARRIER, INC.

Sheet: SB-1
Set: WS