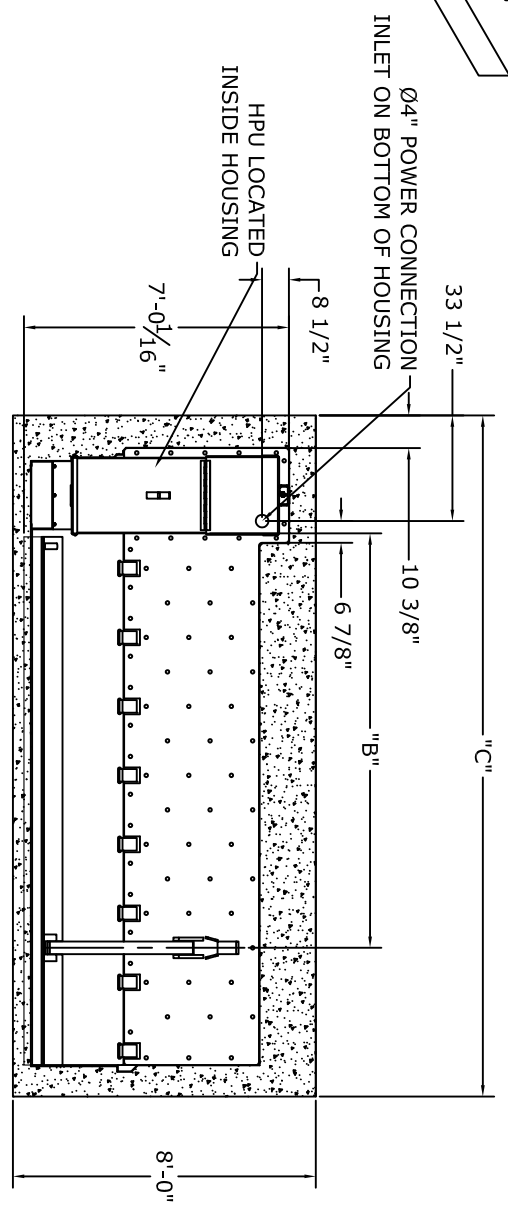
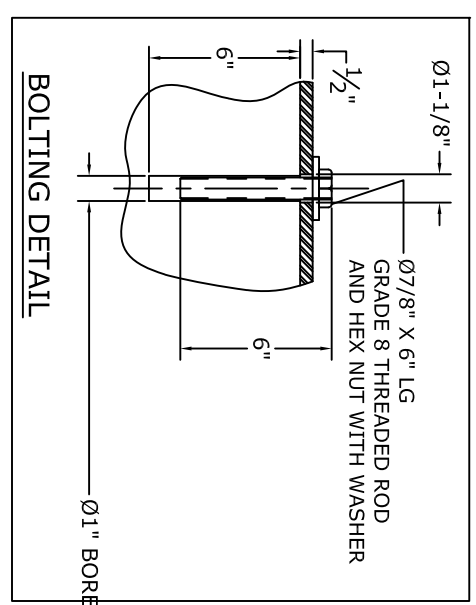


ISOMETRIC VIEW
FOR REFERENCE ONLY
RIGHT HAND BARRIER

- INSTALLATION PROCEDURE**
1. PLACE BARRIER IN DESIRED LOCATION
 2. CONTRACTOR SHALL BE RESPONSIBLE FOR ALL DIMENSION AND CONDITIONS OF THE BARRIER FOUNDATION
 3. DRILL CONCRETE WITH Ø1" BORE USING THE BARRIER BASEPLATE HOLES AS A TEMPLATE
 4. DRILL TO THE PROPER DEPTH (SEE BOLTING DETAIL)
 5. AFTER DRILLING, FLUSH HOLE WITH WATER TO CAPTURE DEBRIS
 6. VACUUM WATER FROM HOLE COMPLETELY
 7. ALLOW HOLES TO COMPLETELY DRY FOR 24 HOURS
 8. POUR EPOXY INTO HOLE BEFORE INSERTING BOLTS
 9. ALLOW EPOXY TO SET FOR 48 HOURS BEFORE COMMISSIONING USE OF THE BARRIER.

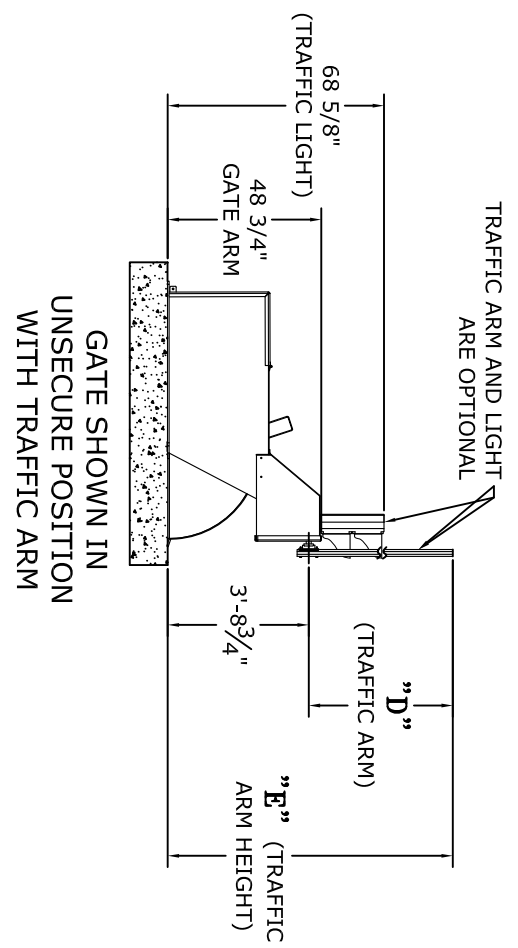


TOP VIEW
NO TRAFFIC ARM
(UNSECURE)



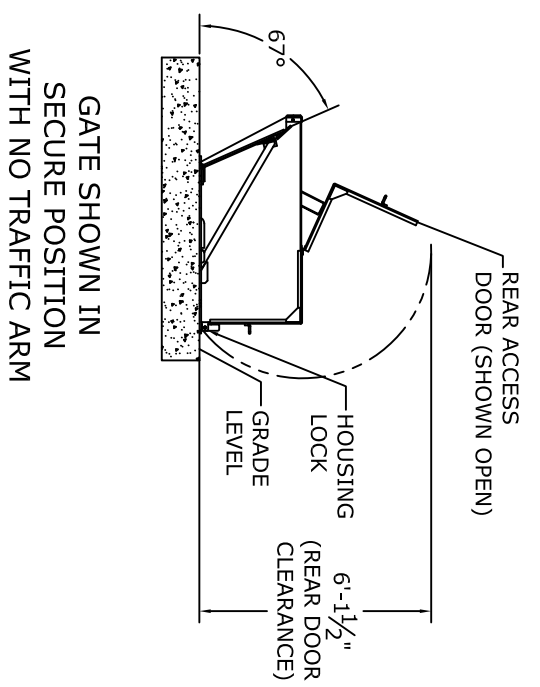
BOLTING DETAIL

"A"	"B"	"C"	"D"	"E"	BOLTS REQ'D
GATE WIDTH					
8 FOOT	6-5 7/8"	12"	9"	12'-8"	46
10 FOOT	7-3 3/4"	14"	11"	14'-8"	54
11 FOOT	7-3 3/4"	15"	12"	15'-8"	57
12 FOOT	7-3 3/4"	16"	12"	16'-8"	62
14 FOOT	10'-11 1/2"	18"	12"	18'-8"	69



GATE SHOWN IN
UNSECURE POSITION
WITH TRAFFIC ARM

GATE SHOWN IN
SECURE POSITION WITH
TRAFFIC ARM



GATE SHOWN IN
SECURE POSITION
WITH NO TRAFFIC ARM

Sheet: SB-2	DESCRIPTION:		REV.	DATE	DESCRIPTION	THIS DOCUMENT CONTAINS INFORMATION DEEMED CONFIDENTIAL AND PROPRIETARY TO NASATKA BARRIER, INC. AND MAY NOT BE REPRODUCED IN WHOLE OR IN PART WITHOUT THE EXPRESS WRITTEN PERMISSION OF NASATKA BARRIER, INC. FURTHER, NO USE OF THIS DOCUMENT OR THE INFORMATION CONTAINED HEREIN MAY BE MADE WITHOUT FIRST SECURING THE PRIOR WRITTEN APPROVAL OF NASATKA BARRIER, INC.	
	MODEL VIII RH GENERAL SPECIFICATIONS						
Sec: VIII	PART NO.	####	DRAWN BY:	EMS	CHK BY:		
			SCALE:	NTS	DATE:	10/4/2013	